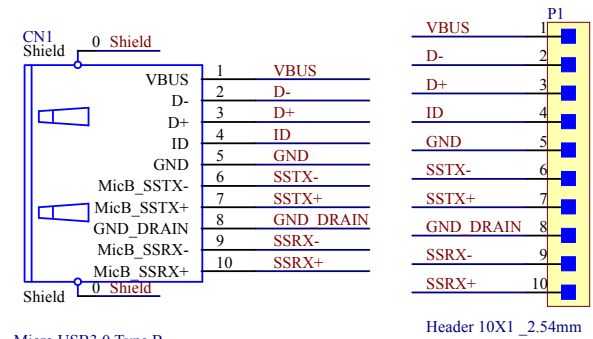
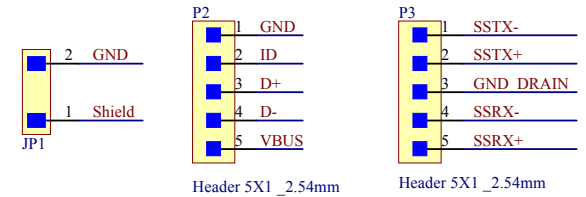
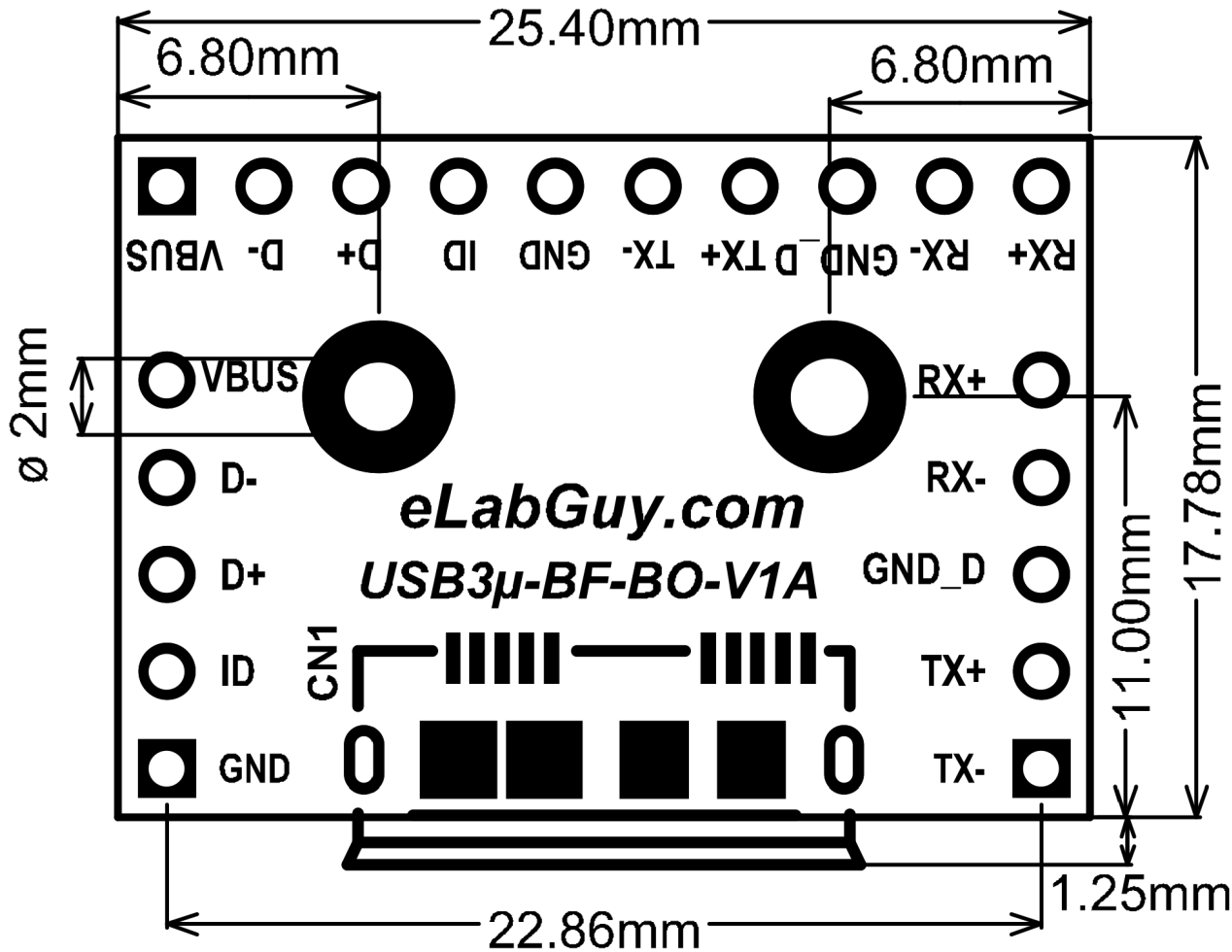


\* PCB 1.6mm THICKNESS



USB3μ-BF-BO-V1A Schematic Diagram



Title <b>USB3 Micro Type B Female Breakout</b>			
Size A4	Number <b>USB3μ-BF-BO-V1A</b>	Revision <b>1A</b>	
Date: 6/11/2015	Sheet of		Drawn By: <a href="http://www.eLabGuy.com">www.eLabGuy.com</a>
File: C:\Users\...USB3 B Micro F V1A Drawn By: Doc			

USB3μ-BF-BO-V1A PCB outline Drawing